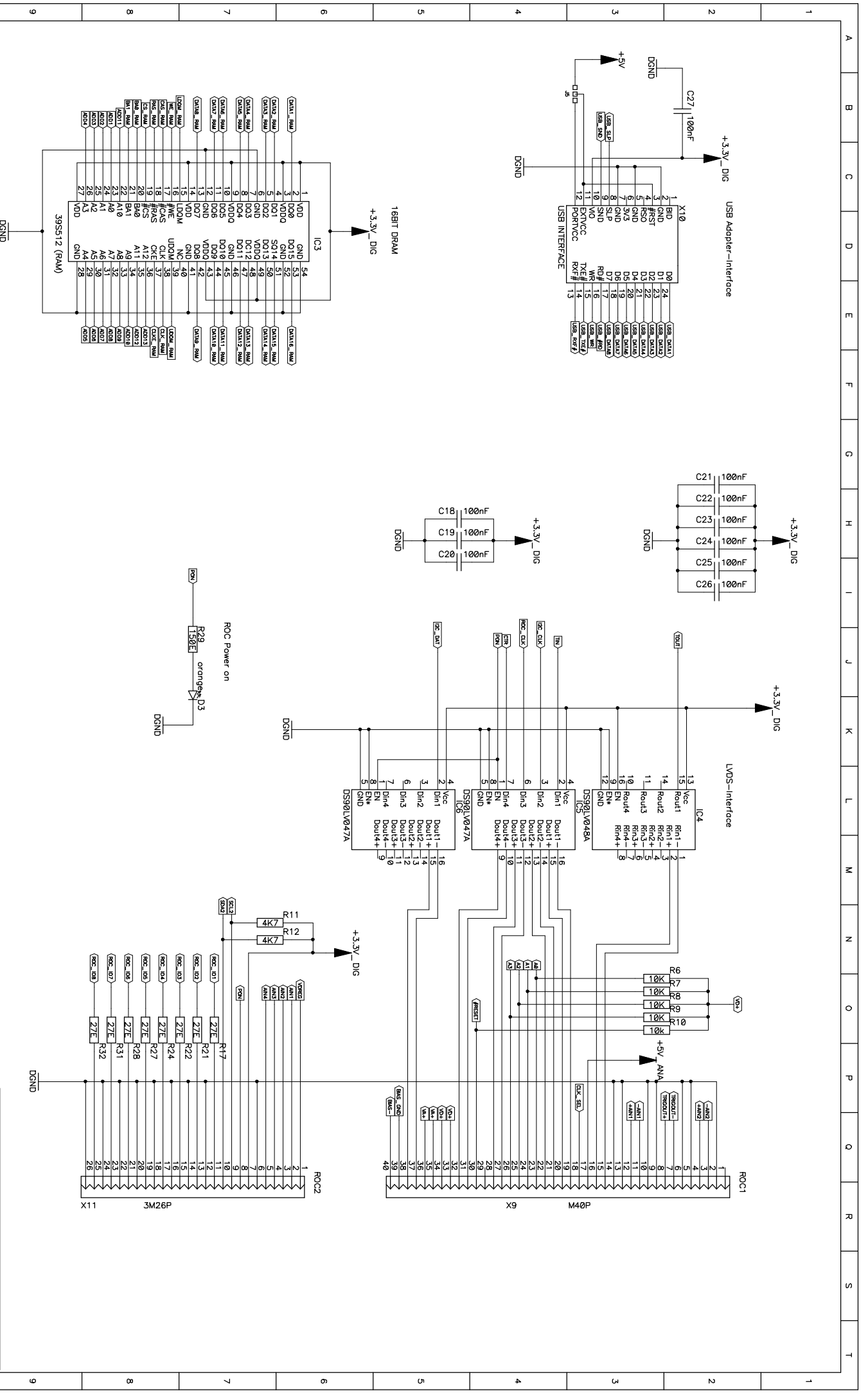



Testboard

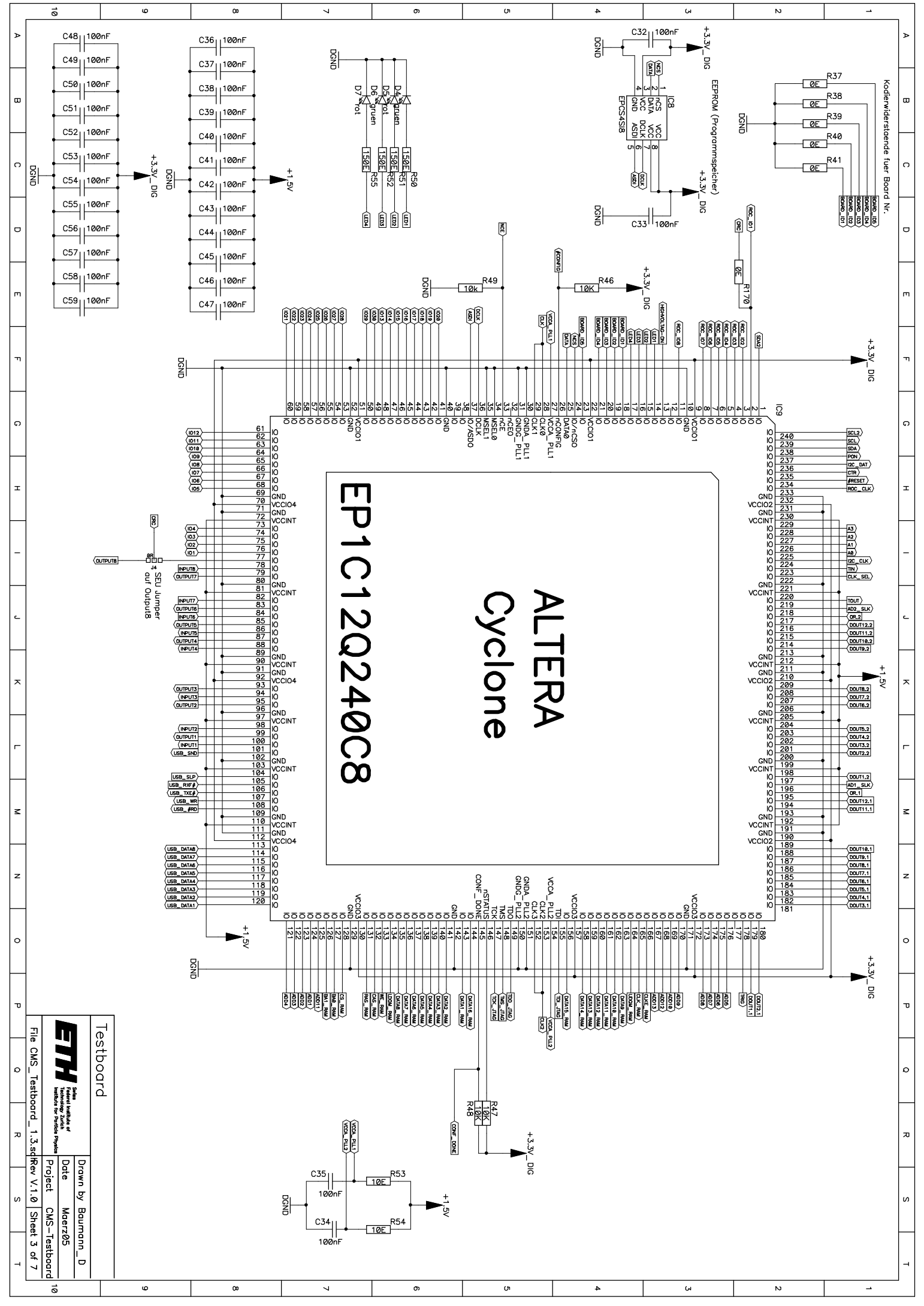
Drawn by: Baumann_D
 Date: Maerz05
 Project: CMS-Testboard
 Rev V.1.0 Sheet 1 of 7

File CMS_Testboard_1.3.sch
 ETH Swiss Federal Institute of Technology Zurich
 Institute for Particle Physics



Testboard

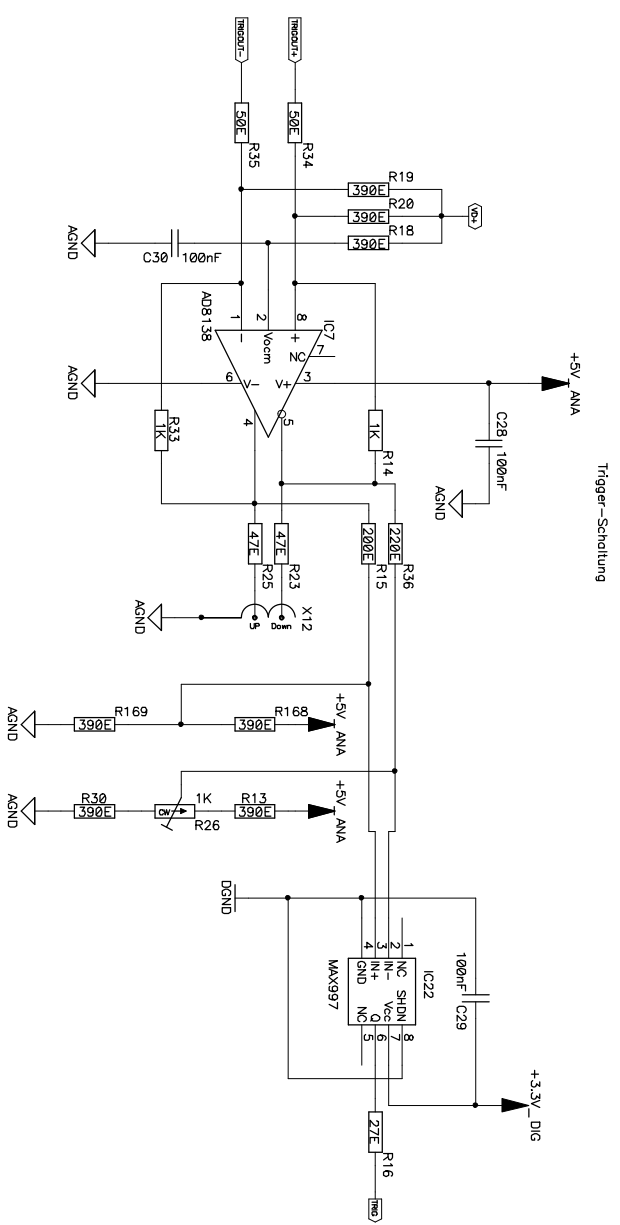
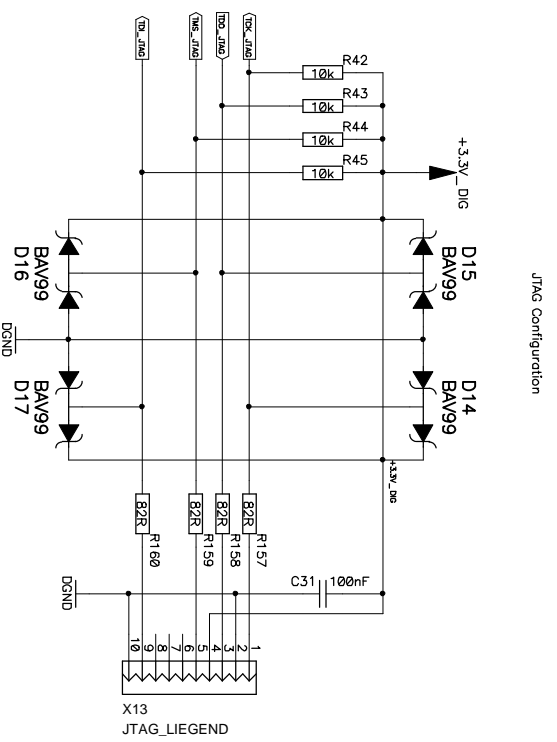
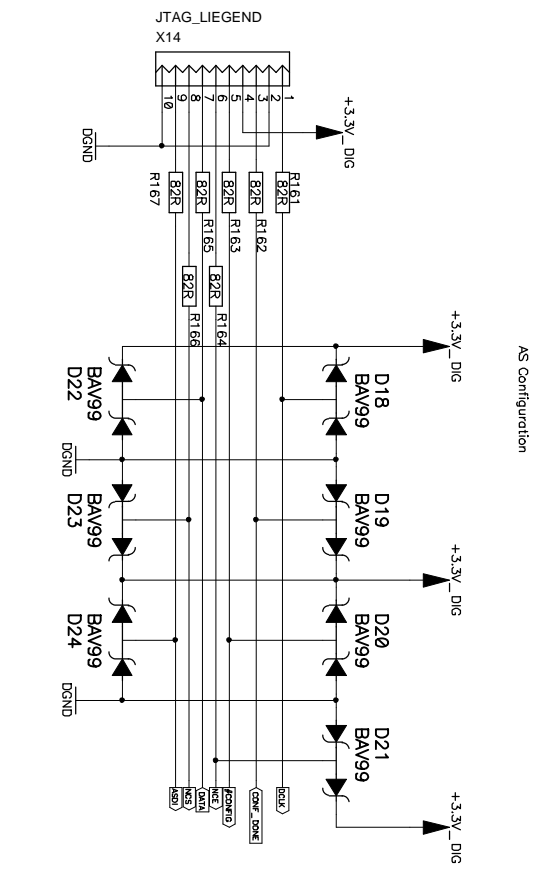
 Federal Institute of Technology ETH ZÜRICH	Drawn by: Baumann_D Date: Maerz05 Project: CMS-Testboard Sheet 2 of 7
---	--



ALTERA
Cyclone
EP1C12Q240C8

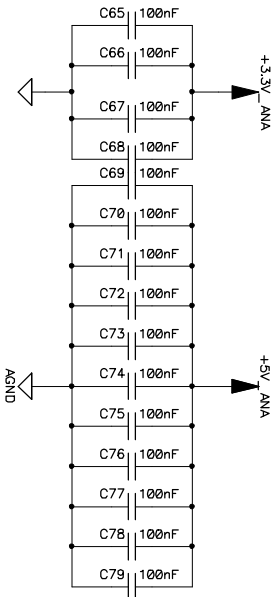
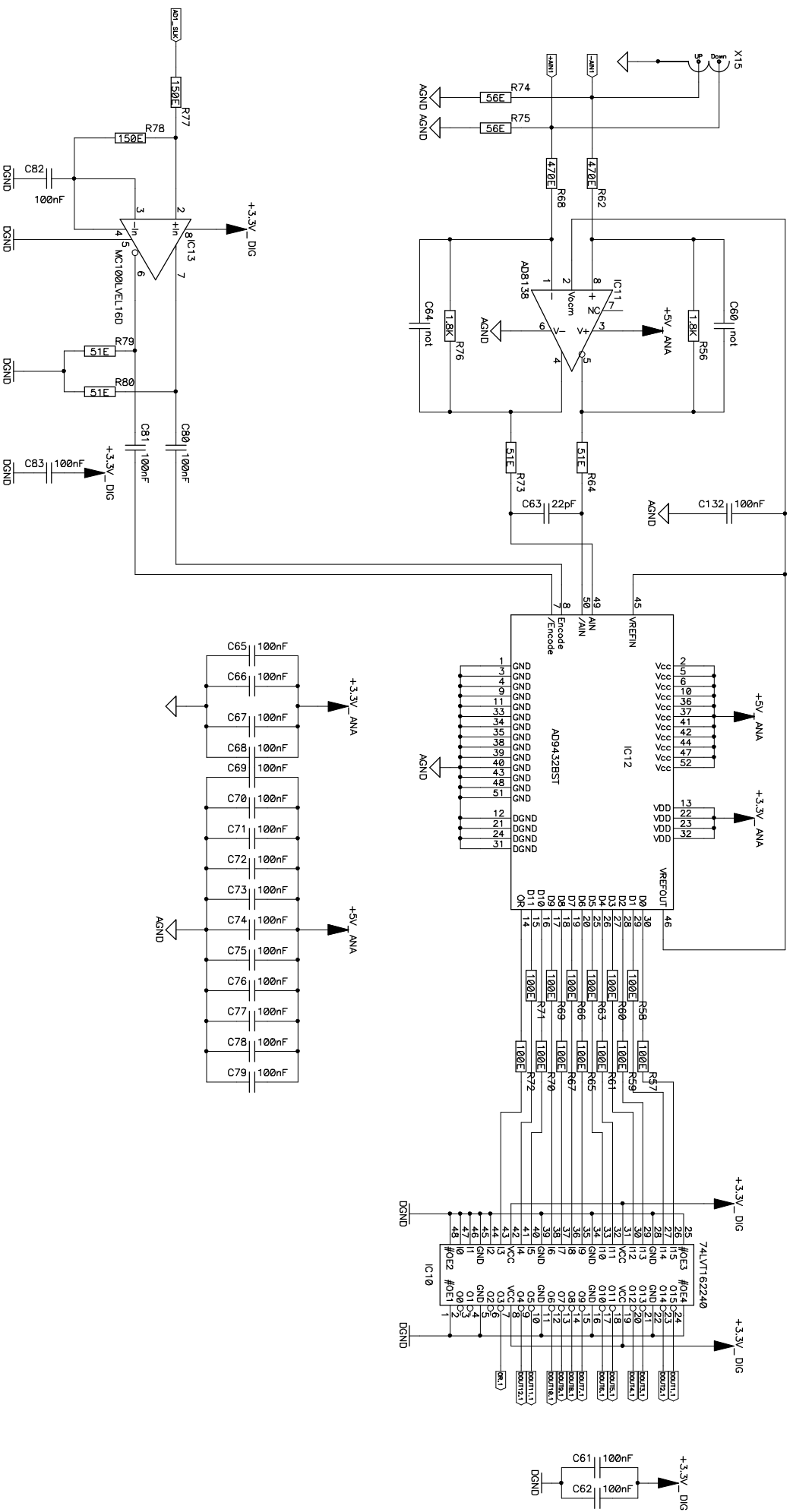
Testboard

Drawn by Baumann_D
 Date Maerz05
 Project CMS-Testboard
 File CMS_Testboard_1.3.sdf Rev V.1.0 Sheet 3 of 7




Testboard	
<small>Solman Federal Institute of Metrology for Physical Quantities</small>	
Drawn by	Baumann_D
Date	Maerz05
Project	CMS-Testboard
File	CMS_Testboard_1.3.sch Rev V.1.0
Sheet	4 of 7

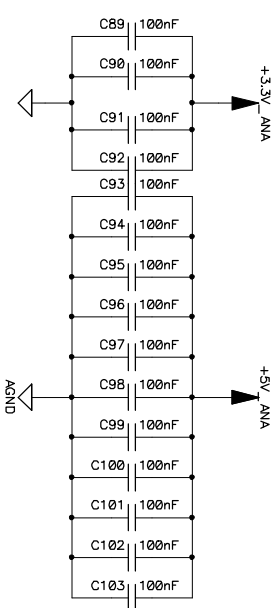
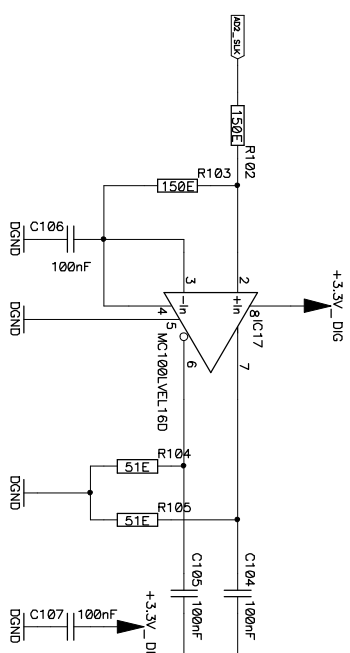
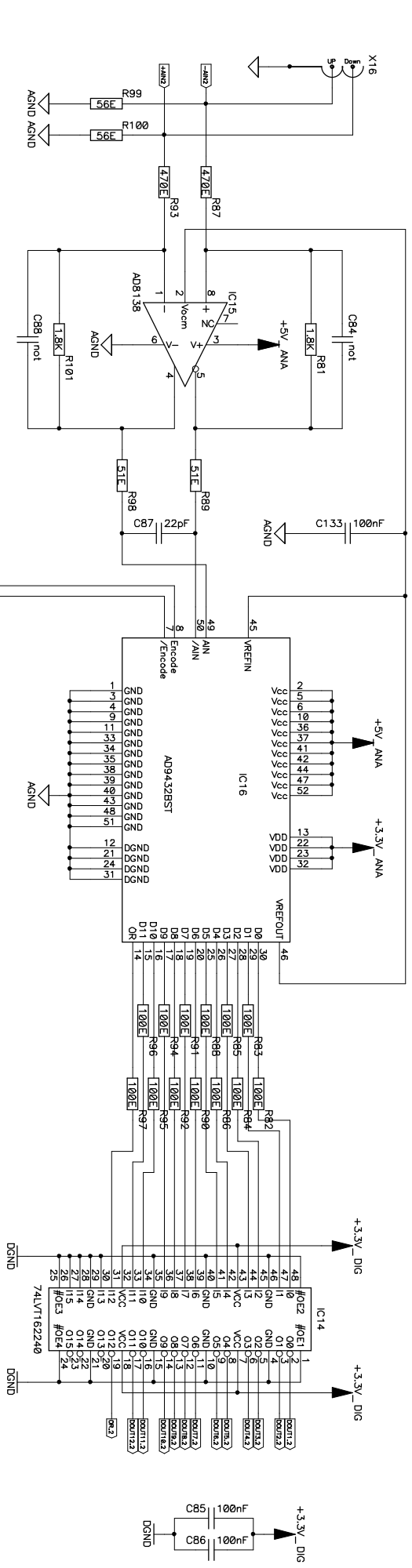
Analogue-Digitalwandler 1 (40Msp)




Testboard

 Federal Institute of Technology Laboratory for Parallel Systems		Drawn by Baumann_D
Project CMS-Testboard	Date Maerz05	
File CMS_Testboard_1.3.sch	Rev V.1.0	Sheet 5 of 7

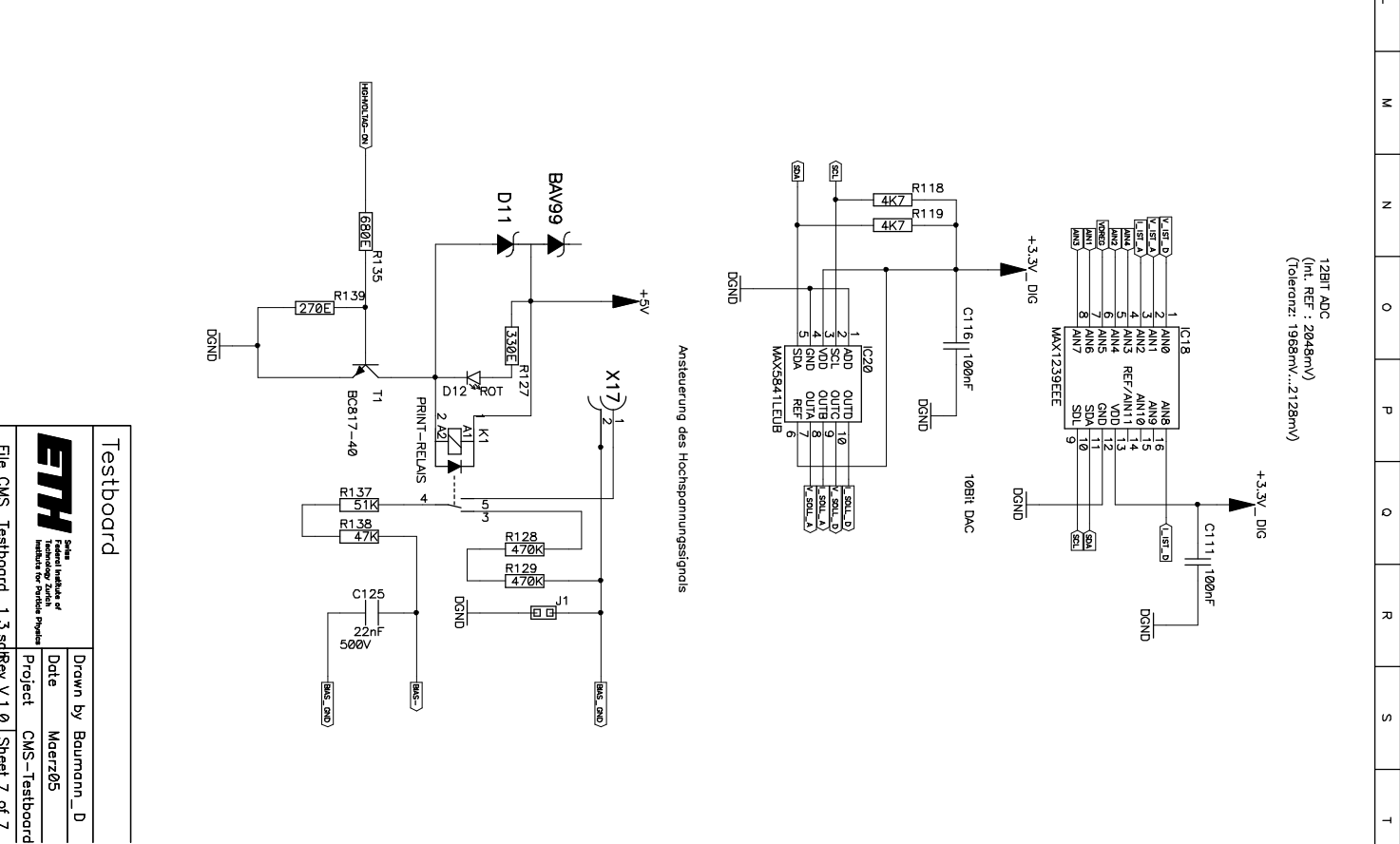
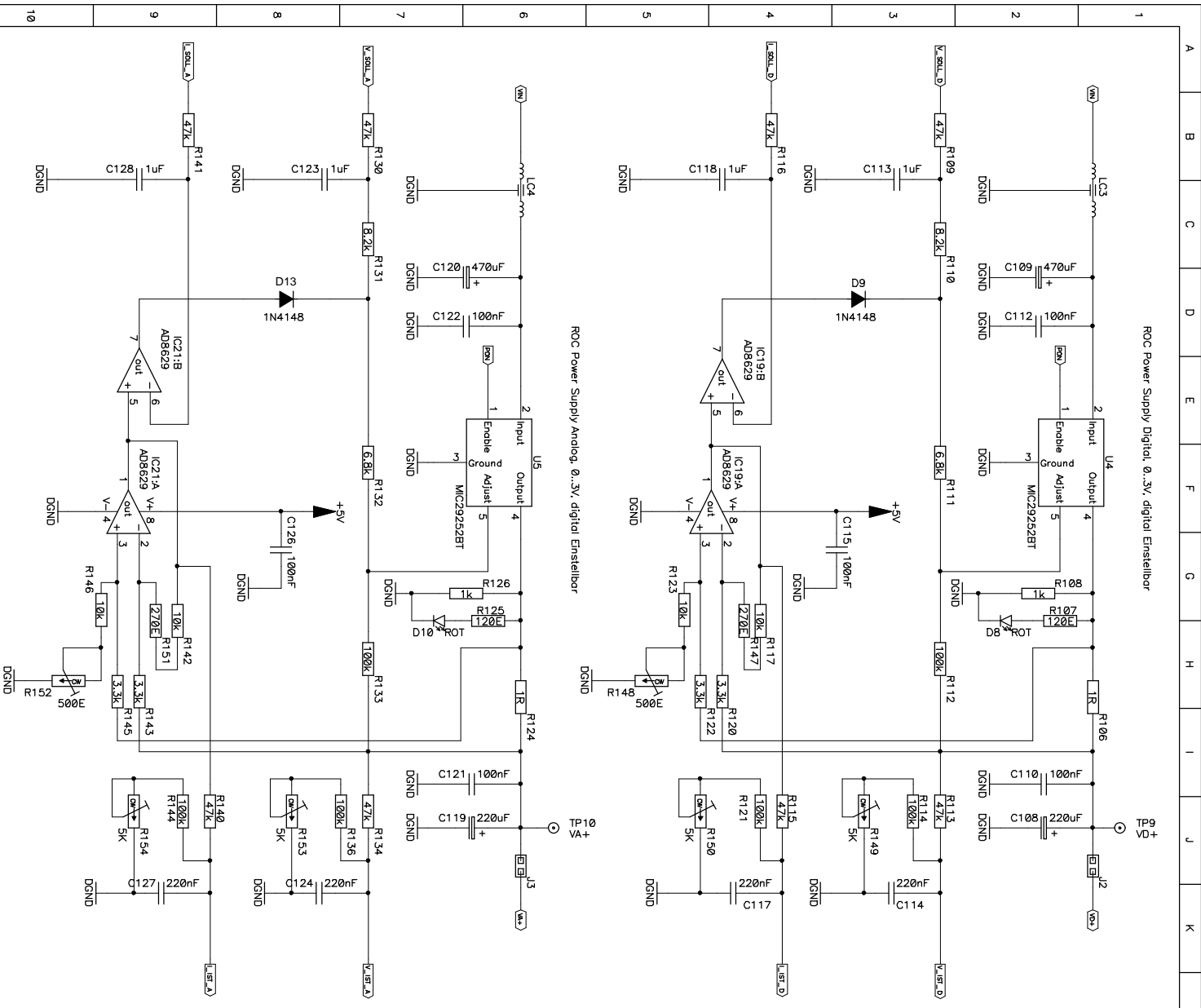
Analogue-Digitalwandler 2 (40MSP)




Testboard

 Federal Institute of Technology Laboratory for Parallel Systems		Drawn by: Baumann_D Date: Maerz05
Project: CMS-Testboard		Sheet 6 of 7

File: CMS_Testboard_1.3.sch Rev. V.1.0



 Eidgenössische Technische Hochschule Zürich Swiss Federal Institute of Technology Zurich	
Drawn by Baumann_D	Date Maerz05
Project CMS-Testboard	
File CMS_Testboard_1.3.schRev V.1.0	
Sheet 7 of 7	